

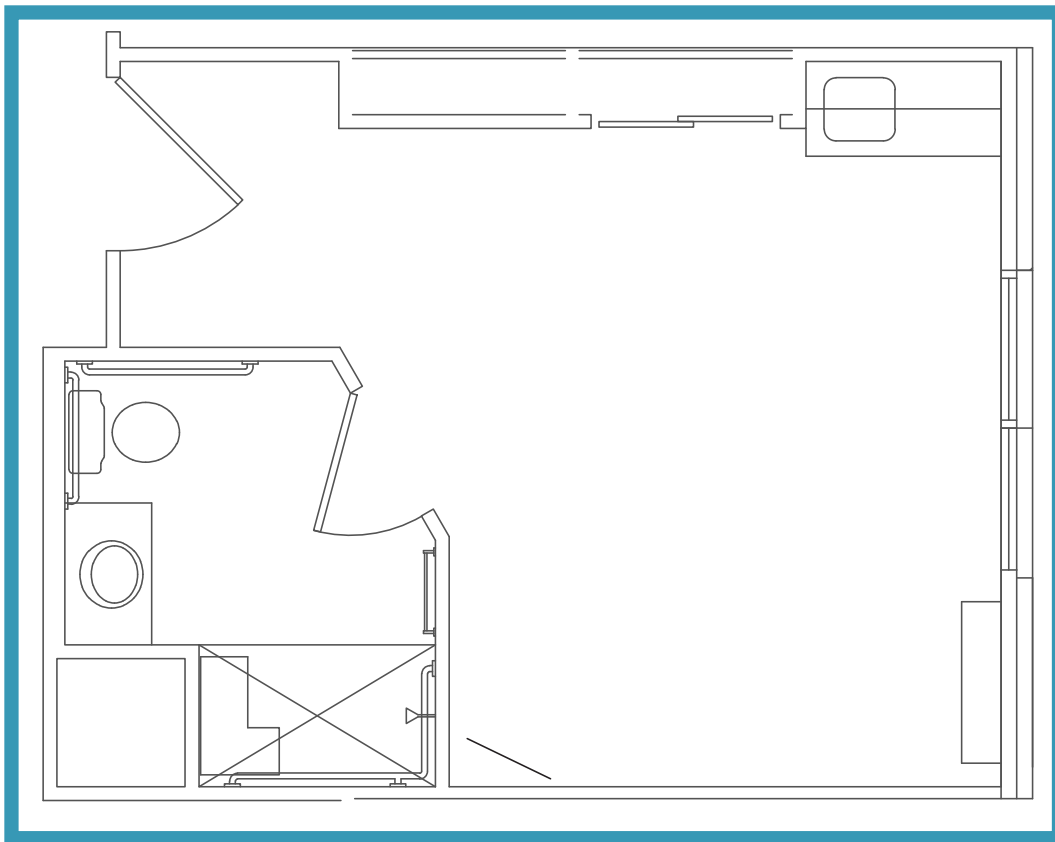


# CAPITAL HEALTH

GARDENS OF SCIOTO

*Assisted Living Community*

## Garden Studio



Date \_\_\_\_\_ / \_\_\_\_\_ / \_\_\_\_\_ Name \_\_\_\_\_

Apt. No. \_\_\_\_\_ Apt. Rate \_\_\_\_\_ Expires \_\_\_\_\_ / \_\_\_\_\_ / \_\_\_\_\_

Notes \_\_\_\_\_

\_\_\_\_\_

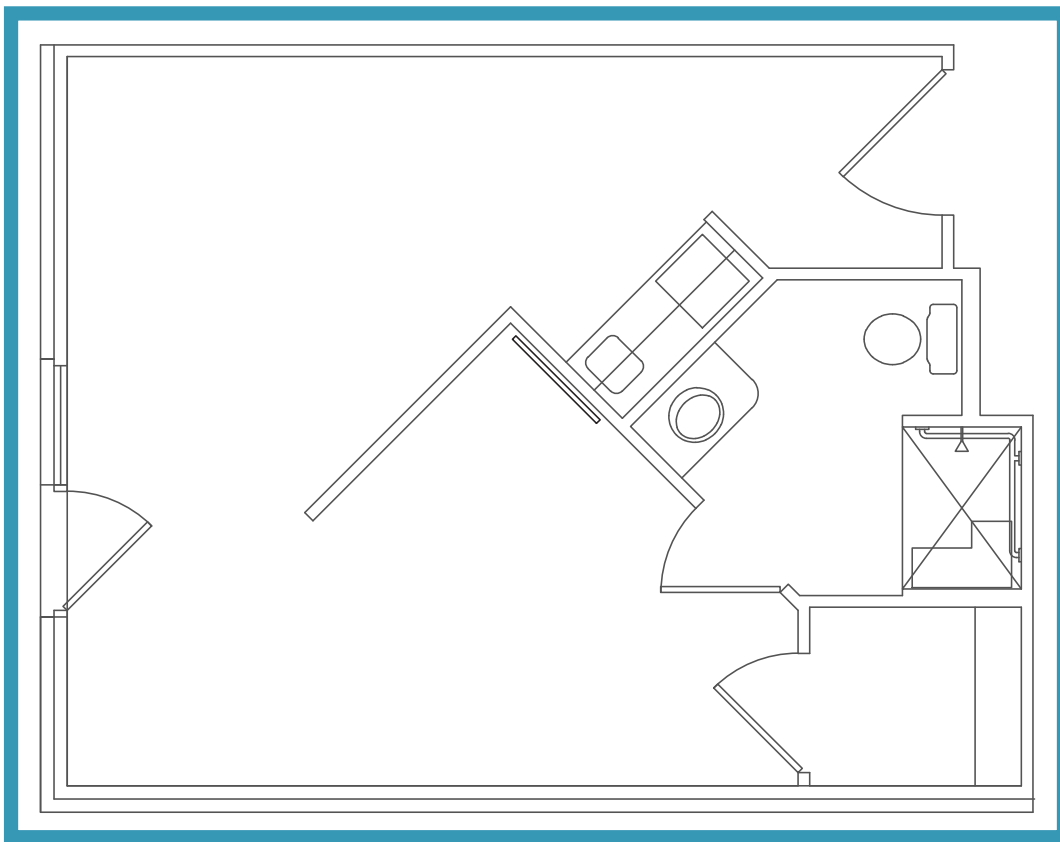


# CAPITAL HEALTH

GARDENS OF SCIOTO

*Assisted Living Community*

## Sunflower Suite

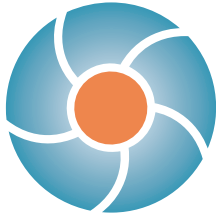


Date \_\_\_\_\_ / \_\_\_\_\_ / \_\_\_\_\_ Name \_\_\_\_\_

Apt. No. \_\_\_\_\_ Apt. Rate \_\_\_\_\_ Expires \_\_\_\_\_ / \_\_\_\_\_ / \_\_\_\_\_

Notes \_\_\_\_\_

\_\_\_\_\_

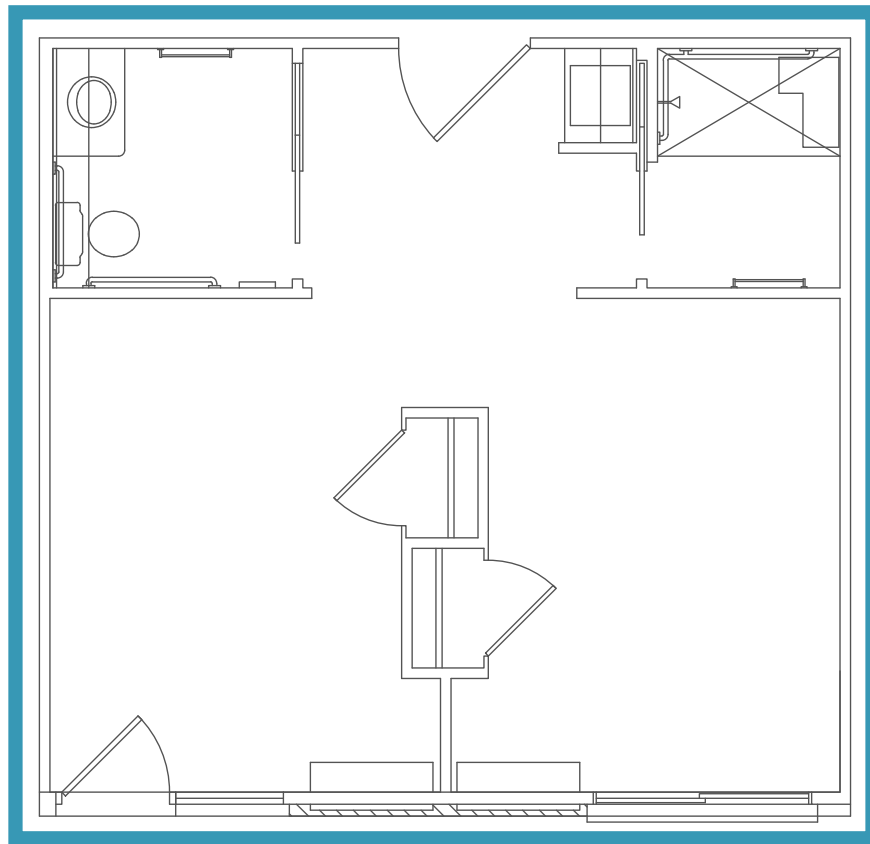


# CAPITAL HEALTH

GARDENS OF SCIOTO

*Assisted Living Community*

## Daffodil Deluxe



Date \_\_\_\_\_ / \_\_\_\_\_ / \_\_\_\_\_ Name \_\_\_\_\_

Apt. No. \_\_\_\_\_ Apt. Rate \_\_\_\_\_ Expires \_\_\_\_\_ / \_\_\_\_\_ / \_\_\_\_\_

Notes \_\_\_\_\_

\_\_\_\_\_

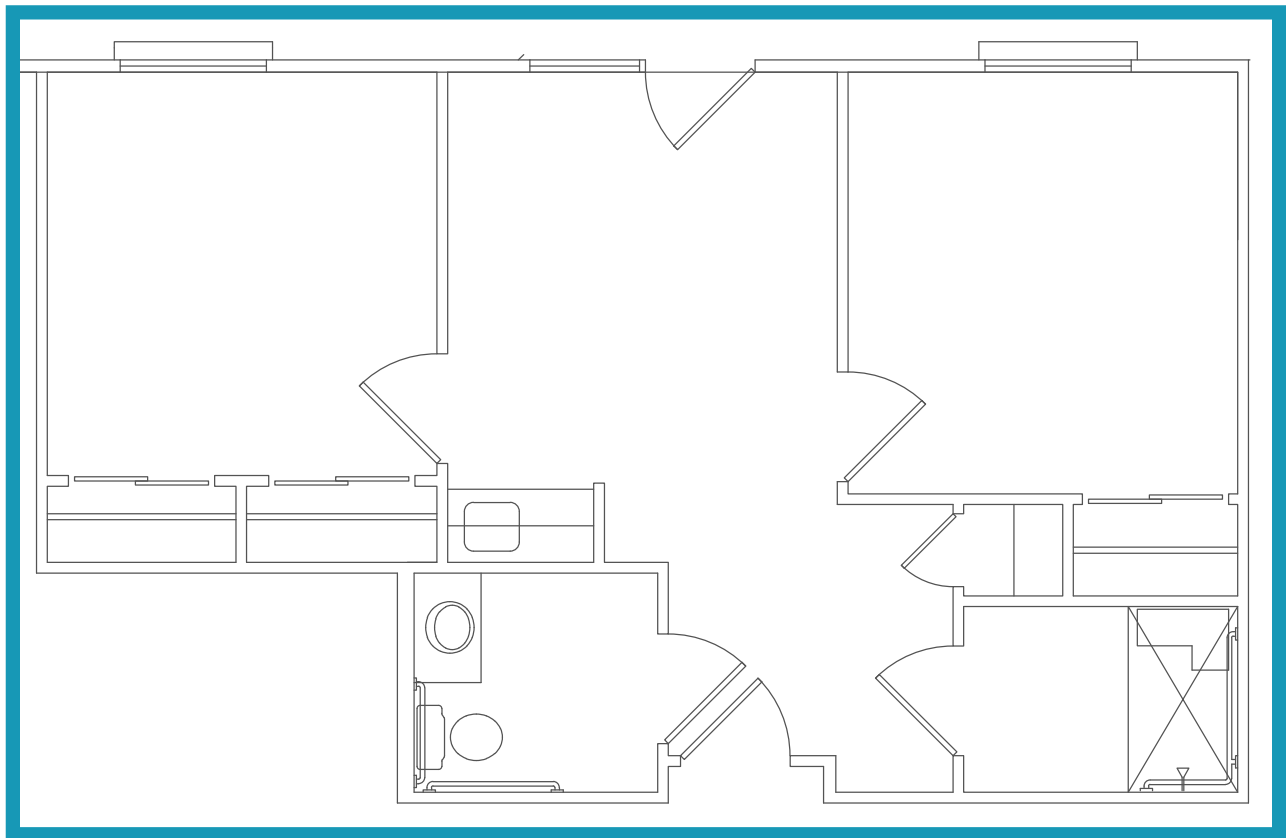


# CAPITAL HEALTH

GARDENS OF SCIOTO

*Assisted Living Community*

## Mediterranean Two Bedroom



Date \_\_\_\_\_ / \_\_\_\_\_ / \_\_\_\_\_ Name \_\_\_\_\_

Apt. No. \_\_\_\_\_ Apt. Rate \_\_\_\_\_ Expires \_\_\_\_\_ / \_\_\_\_\_ / \_\_\_\_\_

Notes \_\_\_\_\_

\_\_\_\_\_

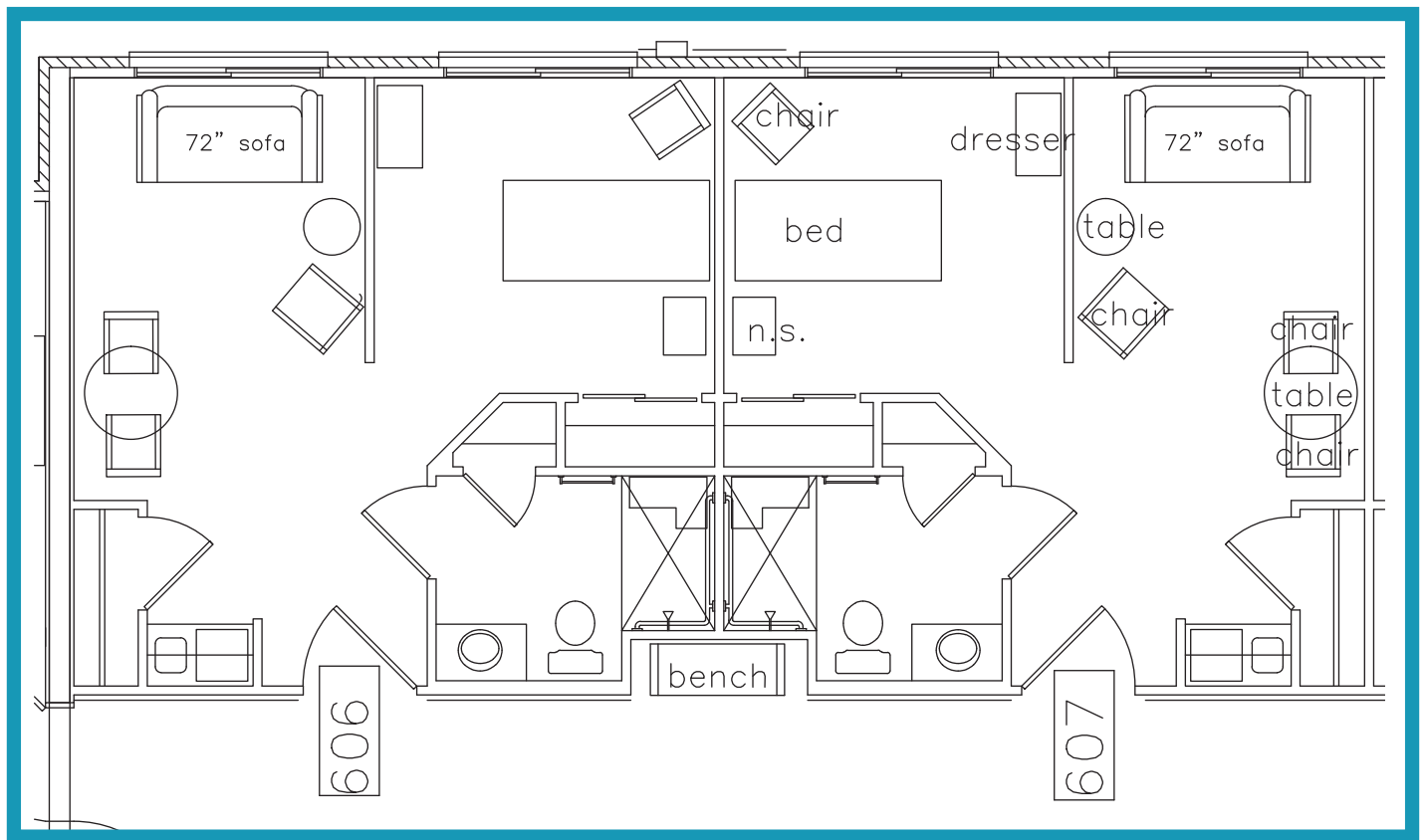


# CAPITAL HEALTH

GARDENS OF SCIOTO

*Assisted Living Community*

## The Tuscany



Date \_\_\_\_\_ / \_\_\_\_\_ / \_\_\_\_\_ Name \_\_\_\_\_

Apt. No. \_\_\_\_\_ Apt. Rate \_\_\_\_\_ Expires \_\_\_\_\_ / \_\_\_\_\_ / \_\_\_\_\_

Notes \_\_\_\_\_

\_\_\_\_\_